

CR4 and CR4A GOVERNORS

SECTION 2

LIST 3

"WESTINGHOUSE"



REGISTERED

**"C.R.4" and "C.R.4-A"
Air Compressor Governors**

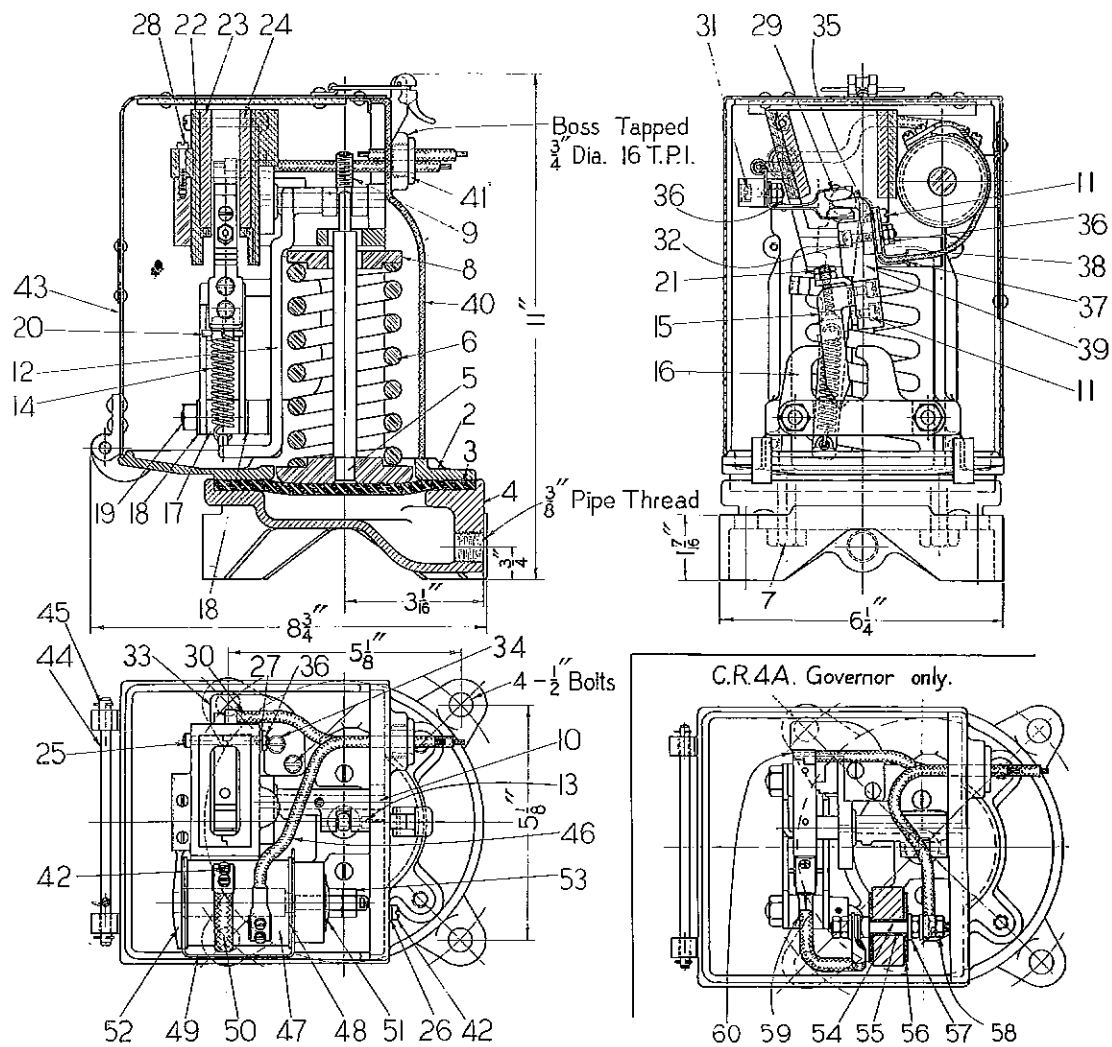
WESTINGHOUSE BRAKE (AUSTRALASIA) PTY. LTD.

HEAD OFFICE AND WORKS:

CONCORD WEST, N.S.W.

1939.

"C.R.4" and "C.R.4-A" Governors



Net Weight 20 lbs.

CR-4 GOVERNOR

Piece No. C3266 CR-4 Governor complete (with aluminium base).
C3170 CR-4 Governor complete (with cast iron base).

Pc. No.	Ref. No.		£	s.	d.
C3172	2	Body			
C3601	3	Diaphragm			
C3179	4	Base (Cast Iron)			
C3267	4	Base (Aluminium)			
C3181	5	Piston Complete			
C3184	6	Piston Spring			
C3552	7	$\frac{3}{8}$ " x $1\frac{1}{2}$ " Set Screws (4 required)			
C3185	8	Spring Plate			
C3186	9	Headless Set Screws (2 required)			
C3190	10	Pin			
C3204	11	$\frac{1}{16}$ " x $\frac{1}{16}$ " Set Screws (3 required)			
C3187	12	Lever Complete			
C3191	13	Pin for Lever			
C3195	14	Toggle Spring			
C3199	15	Link			
C3193	16	Bracket (2 required)			
C3194	17	Spacer (2 required)			
C3192	18	Guide Plate (2 required)			
C3019	19	$\frac{1}{8}$ " x $1\frac{1}{2}$ " Stud & Nut (2 required)			
C3200	20	Adjusting Block Complete (including 2 of 21)			
C3210	21	$\frac{1}{8}$ " Whit. Nuts (2 required)			
C3222	22	Arc Chute Body			
C3224	23	Arc Chute Lining, Outer (L.)			
C3225	24	Arc Chute Lining, Inner (R.)			
C3226	25	$\frac{1}{8}$ " x $1\frac{1}{2}$ " Screw			
C718	26	$\frac{1}{8}$ " Washer			
C3227	27	$\frac{1}{8}$ " Washer			
C3220	28	3 B.A. x $\frac{1}{4}$ " Screw (2 required)			
C3207	29	Stationary Contact Complete			
C3214	30	Stationary Contact Lead			
C3218	31	$\frac{1}{8}$ " x $\frac{1}{2}$ " Set Screws			
C3205	32	$\frac{1}{8}$ " x 1" Set Screws			
C3217	33	Insulation Bracket			
C3219	34	$\frac{1}{16}$ " x $\frac{5}{8}$ " Screws (2 required)			
C3197	35	Movable Contact			
C3203	36	$\frac{1}{8}$ " Hex. Nuts (2 required)			
C3237	37	Lower Guard			
C3236	38	Upper Guard			
C3198	39	Insulation Block			
C3240	40	Rear Cover Complete (including 41)			
C3311	41	Bushing for Cable			
C3242	42	$\frac{1}{8}$ " x $\frac{3}{8}$ " Set Screw and Lock Washer (4 required)			
C3243	43	Front Cover Complete			
C3251	44	Hinge Pin			
C3252	45	$\frac{3}{32}$ " x $\frac{1}{2}$ " Split Pins (2 required)			
C3294	46	Blow-out Coil Lead			
C3239	47	Blow-out Coil Complete			
C3231	48	Blow-out Coil Fibre Collar			
C3975	49	Guard for Blow-out Coil			
C3232	50	Movable Contact Lead			
C3370	51	Spring Washer			
C3229	52	Blow-out Coil Support Complete			
C155	53	$\frac{1}{8}$ " Hex. Nuts (2 required)			

Orders should state PIECE NUMBER and NAME of Part.

CR-4-A GOVERNOR

Pc. No. C-4117, CR-4-A Governor Complete (Cast Iron Base).

The CR-4-A Governor is identical with the CR-4 as regards operation and general construction. Its main difference is the omission of the Body, Ref. No. 2, Blow-out Coil, Ref. No. 47 (and its attendant parts 28, 48, 49, 50, 51, 52), the Arc Chute Complete (22, 23, 24, 25), and the Piston Spring, Ref. No. 6; and the replacement of these by the following parts:

Pc. No.	Ref. No.		£	s.	d.
C-4073	2	Body			
C-4369	6	Piston Spring			
C-4076	54	Moving Contact Cable Terminal			
C-4075	55	Terminal Insulating Bush			
C-4074	56	Insulating Washers (2 required)			
A8379/3	57	$\frac{1}{4}$ " Washers (6 required)			
C-594	58	$\frac{1}{4}$ " Nuts (5 required)			
18836	59	Flexible Cable			
C-4085	60	Cable and Terminal Complete			

